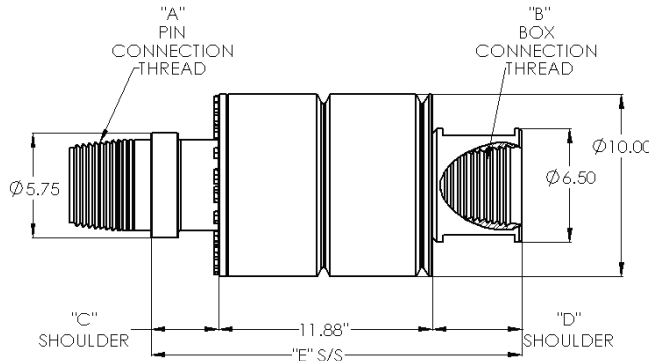




SMOOTHDRILL® PRODUCTS

Smooth Hammer M-10



**One Unit
Rotary and
Percussion
Drilling**

Features

Benefits

Compact Size: 10" dia X 20.50" S/S length	<ul style="list-style-type: none"> Use in greater range of drill sizes
Standard Connections: 4" API-IF Pin X 4" BECO Box (Part #18-7010) 4" API-IF Pin X 4 1/2" API-R (Part #18-7011) 4" API-IF PIN X 4" API-FH (PART #18-7013)	<ul style="list-style-type: none"> Increased life of threaded connections through use of saver subs Inventory friendly
1.750" Axial Stroke: 1/2" axial misalignment	<ul style="list-style-type: none"> Reduces thread wear Forgiveness for misalignment
Axial Cushion: Keeps bit in more constant contact with formation	<ul style="list-style-type: none"> Increases bit life Decreases drive head and mast damage by dampening axial jolts and vibrations Reduces downtime due to unscheduled maintenance and repairs
CST: Cushioned Spline Technology	<ul style="list-style-type: none"> Reduces torsional vibrations and jolts - allows for use in rotary and DHT applications
Modular Mechanics:	<ul style="list-style-type: none"> Easy and inexpensive refurbish Minimizes downtime
Rebuild Kits Available:	<ul style="list-style-type: none"> Includes all wear items (soft goods)

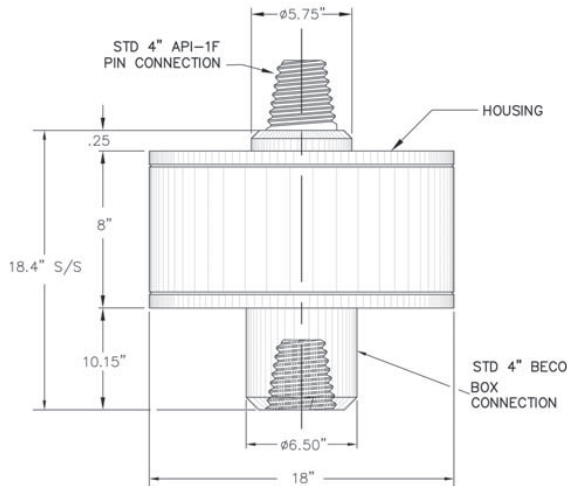
TECHNICAL SPECIFICATIONS

Pull down:	90,000 lbs. max	Torque:	20,000 ft-lbs.
Standard Pin:	4" API-IF	Standard Box:	4" BECO
Diameter:	10"	Shoulder to Shoulder:	20.50"



SMOOTHDRILL® PRODUCTS

Smooth Hammer M-18



One Unit Rotary and Percussion Drilling

Features

Benefits

<p>Compact Size: 18" dia X 18.4" S/S length</p>	<ul style="list-style-type: none"> Use in greater range of drill sizes
<p>Standard Connections: 4" API-R Pin X 4" BECO Box (Part #18-7001) 4-1/2" API-R Pin X 4" BECO Box (Part #18-7002)</p>	<ul style="list-style-type: none"> Increased life of threaded connections through use of saver subs Inventory friendly
<p>1.25" Axial Float: Forgiveness for misalignment</p>	<ul style="list-style-type: none"> Reduces thread wear
<p>Axial Cushion: Keeps bit in more constant contact with formation</p>	<ul style="list-style-type: none"> Increases bit life Decreases drive head and mast damage by dampening axial jolts and vibrations Reduces downtime due to unscheduled maintenance and repairs
<p>CST: Cushioned Spline Technology</p>	<ul style="list-style-type: none"> Reduces torsional vibrations and jolts - allows for use in rotary and DHT applications
<p>Modular Mechanics:</p>	<ul style="list-style-type: none"> Easy and inexpensive refurbish Minimizes downtime

TECHNICAL SPECIFICATIONS

<p>Pull down:</p>	<p>100,000 lbs. max</p>	<p>Torque:</p>	<p>12,000 ft-lbs.</p>
<p>Standard Pin:</p>	<p>4" API-IF</p>	<p>Standard Box:</p>	<p>4" BECO</p>
<p>Diameter:</p>	<p>18"</p>	<p>Shoulder to Shoulder:</p>	<p>18.4"</p>